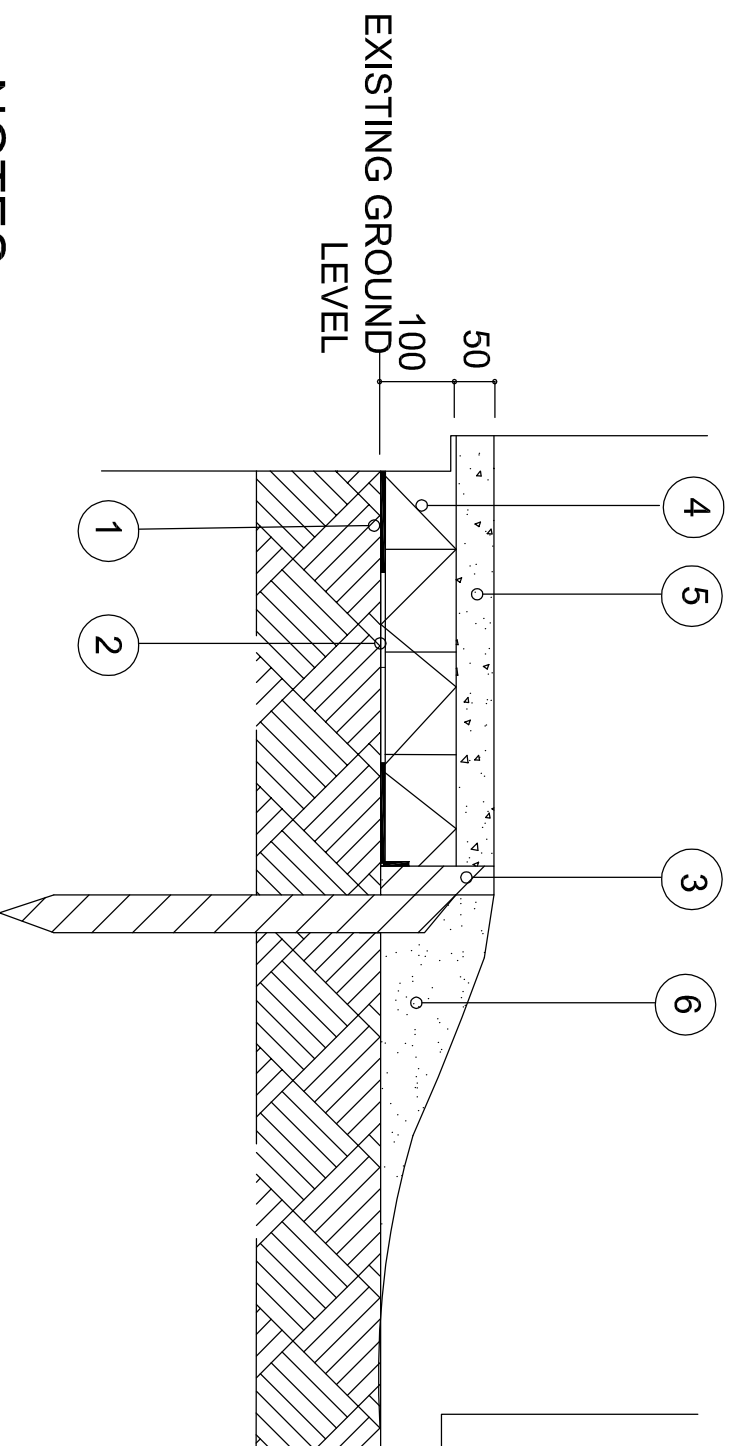
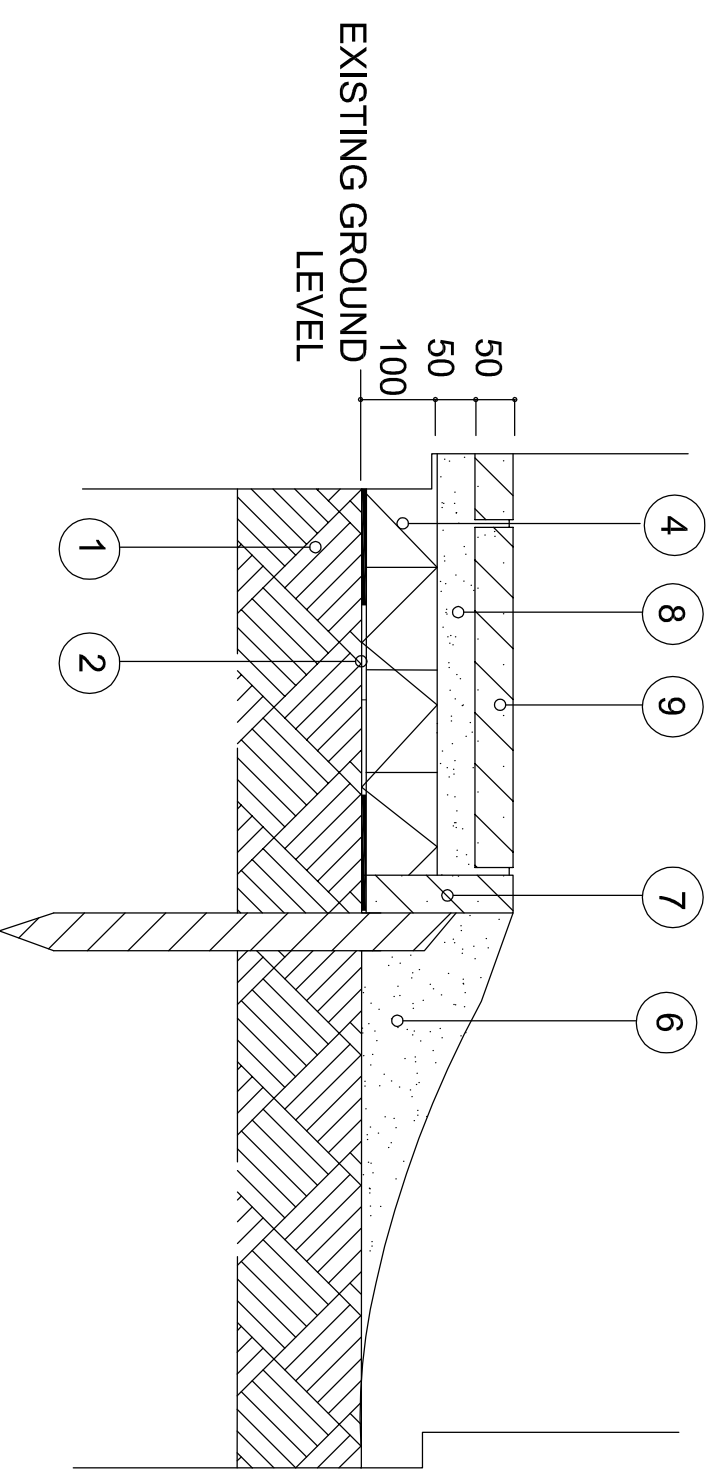


NO DIG CONSTRUCTION - BREEDON GRAVEL PATH



NO DIG CONSTRUCTION - CONCRETE SLAB PATH



NOTES:-

- 1 EXISTING GROUND SURFACE VEGETATION TO BE SPRAYED OFF USING A TRANSLOCATED HERBICIDE SUCH AS GLYPHOSATE AND ALL UNWANTED ORGANIC MATTER TO BE REMOVED USING A HAND TOOL TAKING CARE NOT TO DISTURB ROOTS. LEVEL GROUND SURFACE TO BE ESTABLISHED, BY FILLING ANY DEPRESSIONS WITH SHARP SAND.
- 2 GEOTEXTILE MEMBRANE TO BE ICI "TERRAM" 2000 AVAILABLE FROM TERRAM TEL. (01495) 767444 OR SIMILAR.
- 3 TIMBER EDGING, BOARDS AND PEGS, BOARDS TO BE 150 x 38mm. PEGS DRIVEN BELOW GROUND TO BE 600mm LONG AND 50mm sqr AND TWICE NAILED TO THE BOARDS WITH GALVANISED NAILS. TIMBER TO BE ACQ TREATED SOFTWOOD. FOR STEEPLY CURVED SECTIONS, REDUCE BOARD SIZE TO 100 x 25mm AND CUT BOARDS ON BACK TO A DEPTH OF 5mm AT 50mm CENTRES, AND SOAK AS REQUIRED TO BEND.
- 4 "GEOBLOCK" CELLULAR CONFINEMENT SYSTEM FILLED WITH HIGHWAY TYPE 1 GRANULAR FILL.
- 5 BREEDON "GOLDEN AMBER GRAVEL" AVAILABLE FROM ENNSTONE JOHNSTON Ltd, TEL. 01332 694001. LAID IN ACCORDANCE WITH SUPPLIERS SPECIFICATION TO FALLS AND CROSSFALLS. NB SURFACE SHOULD BE ALLOWED TO DRY OUT COMPLETELY BEFORE BEING OPENED UP TO GENERAL USE.
- 6 70 : 30 SAND SOIL MIX, CONTAINING 35g OF GRASS SEED FOR EVERY 100g.
- 7 P.C. CONCRETE EDGING, 50 x 200mm, FLAT-TOPPED, RETAINED WITH ACQ TREATED SOFTWOOD TIMBER EDGING PEGS, 600mm LONG AND 50mm sqr.
- 8 SHARP SAND (NO FINES).
- 9 CONCRETE SLABS BY DEVELOPER.

ALL DIMENSIONS TO BE CHECKED ON SITE TO BE READ WITH ALL CONTRACT DOCUMENTATION ANY DISCREPANCIES TO BE REPORTED TO THE CONTRACT ADMINISTRATOR DO NOT SCALE FROM THIS DRAWING.

Copyright Elwood Landscape Design Ltd 2007

Rev.	Date	Initials	Details

E.L.D
ELWOOD LANDSCAPE DESIGN
 CHARTERED LANDSCAPE ARCHITECTS

Suffolk Office:
 The Barn, Cherry Tree Farm, Mendelsham
 Green, Stowmarket, Suffolk IP14 5RQ.
 Tel: 01449 768828 E: team@s-l-d.co.uk

Cambridgeshire Office:
 The Nursery, Market Street, Fordham,
 Cambridgeshire, CB7 5LQ.
 Tel: 01638 721066 E: team@s-l-d.co.uk

CLIENT: BOVIS HOMES (EASTERN REGION) PROJECT: UPLAND MILLS, BIDDULPH

DWG TITLE: "NO DIG CONSTRUCTION" PAVING DETAIL

SCALE: 1:10	DATE: JULY 2007	DRAWING NO: Bidd-03-111	REV.
DRAWN BY: DEW	CHECKED BY:		