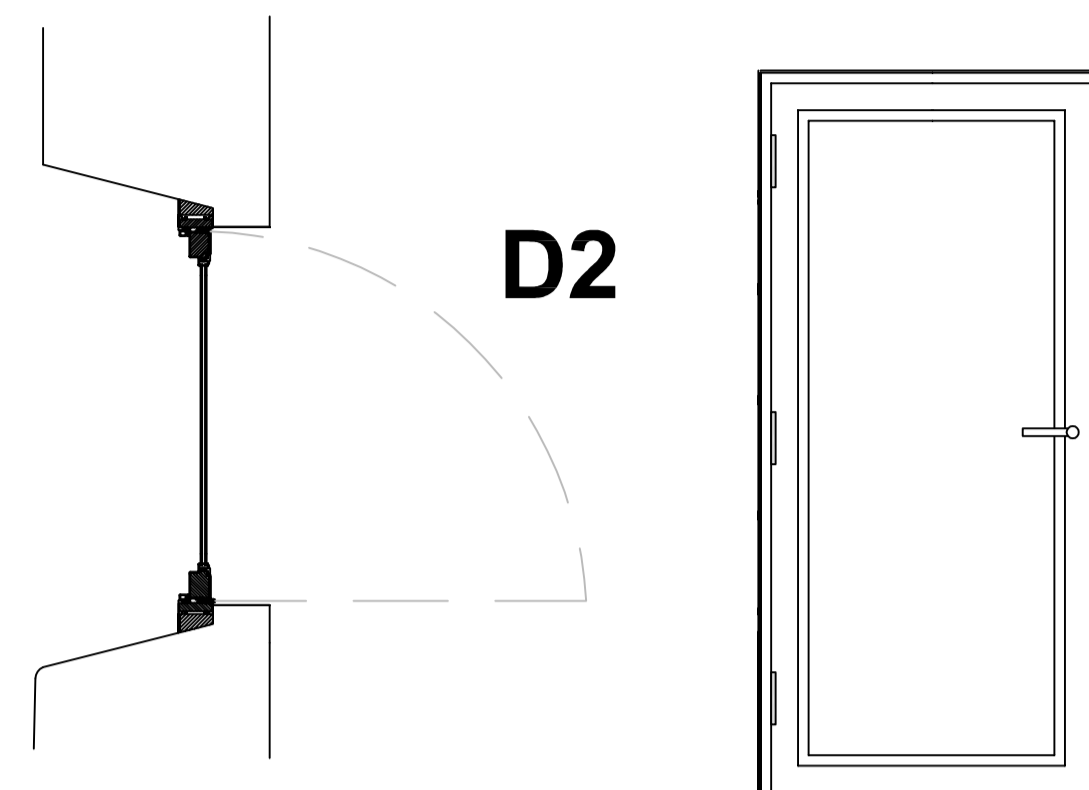
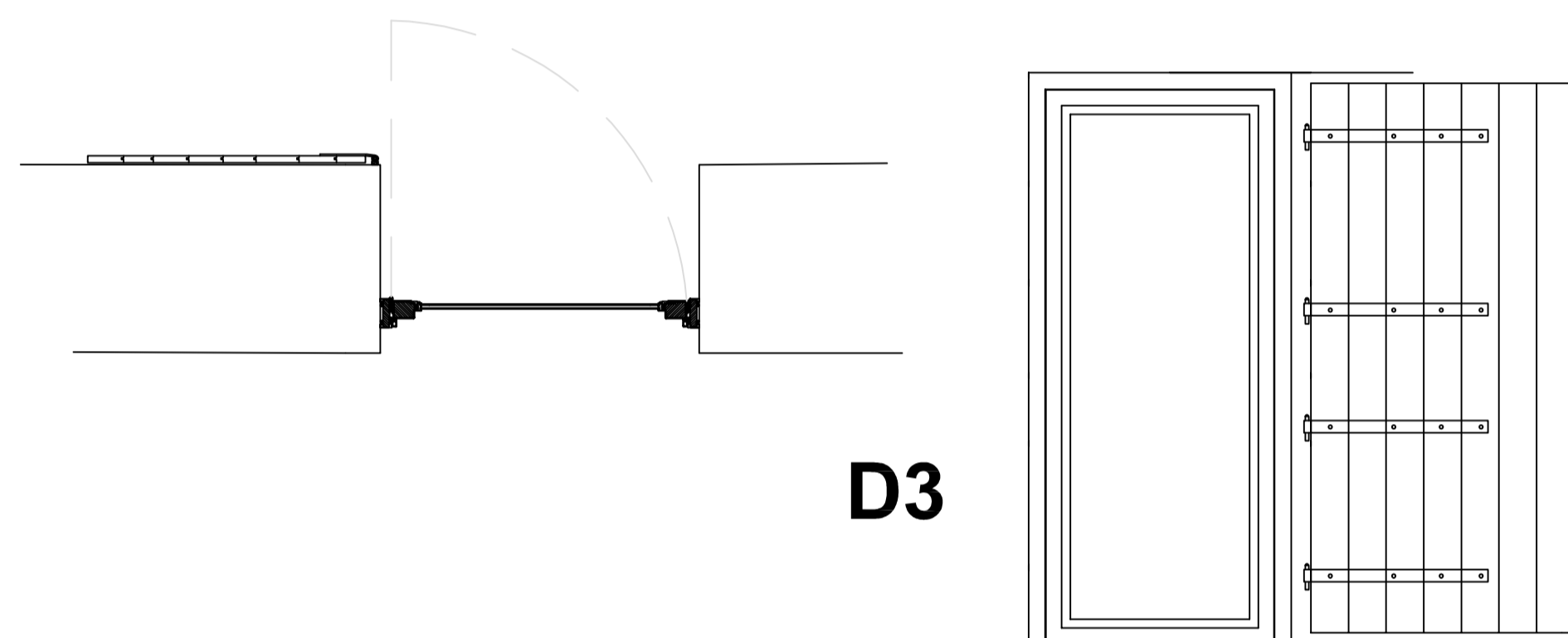


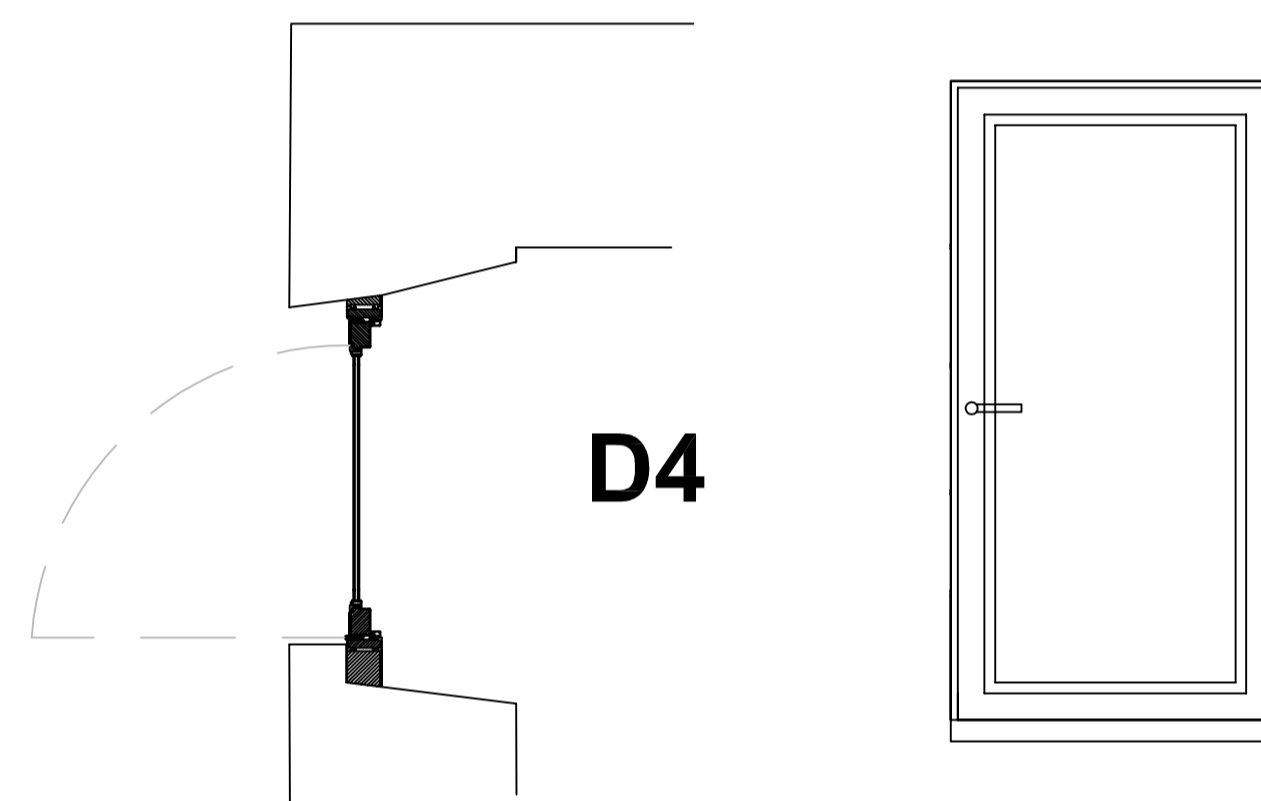
D1



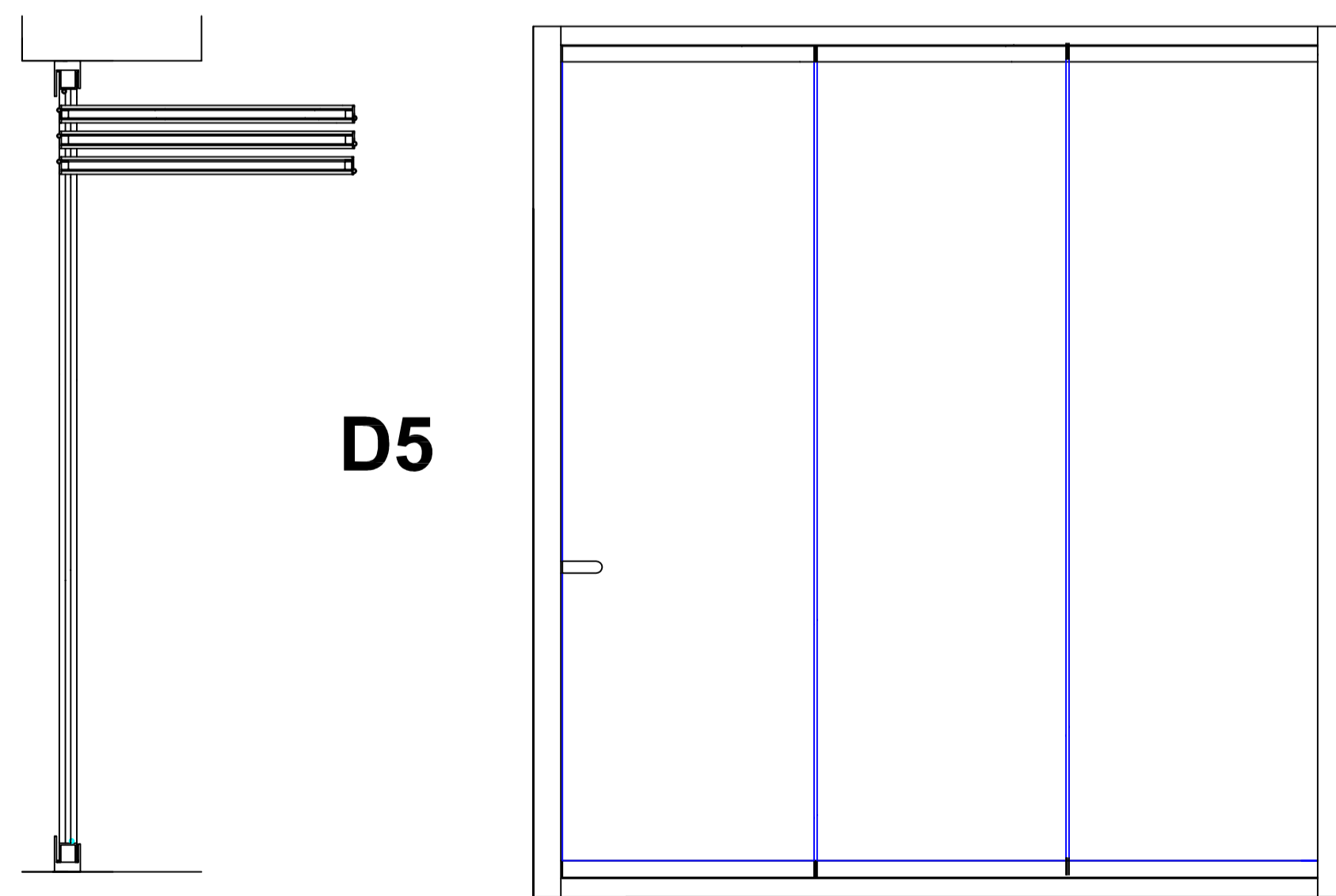
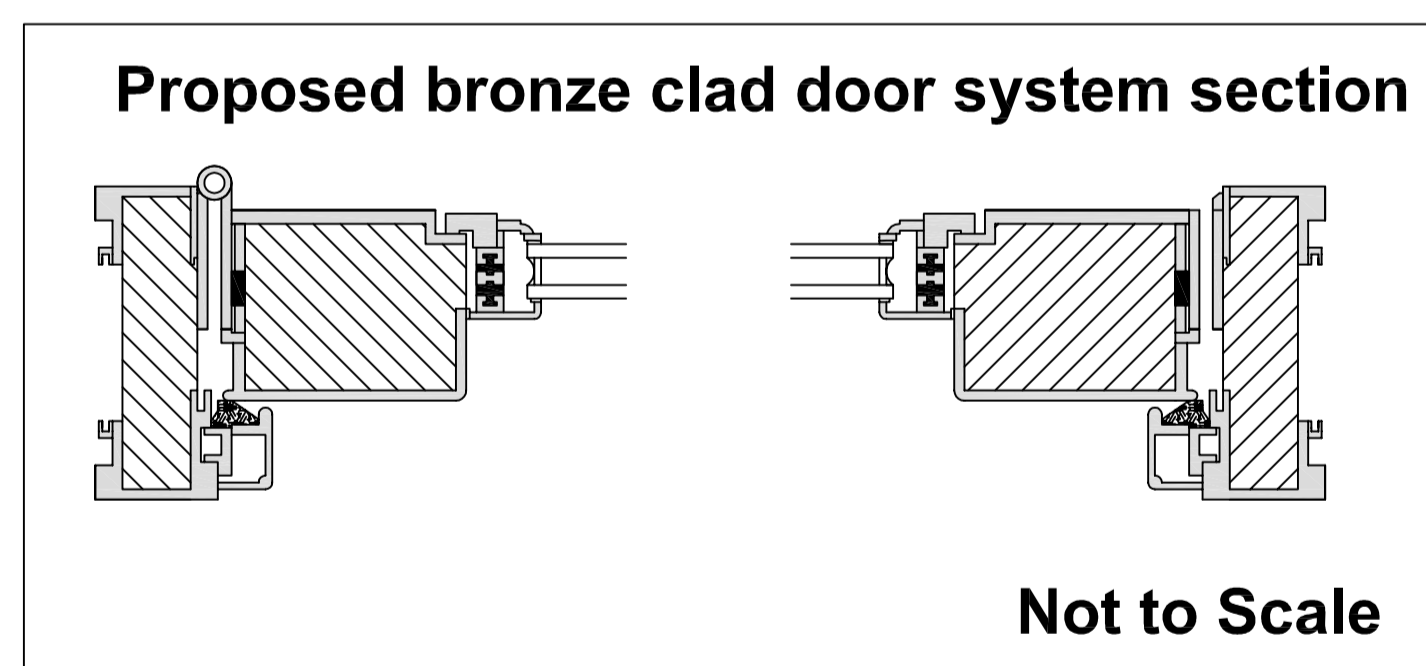
D2



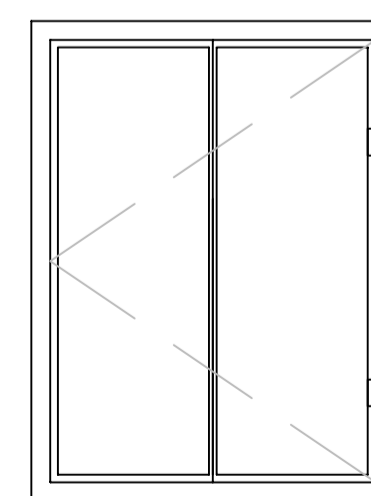
D3



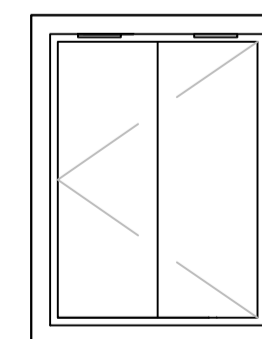
D4



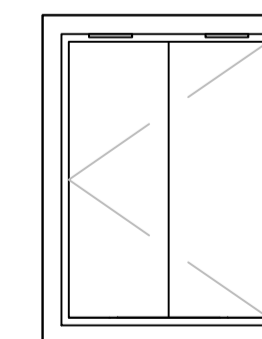
D5



RL1



RL2



RL3

DOOR AND ROOF LIGHT SCHEDULE

It is proposed to set all door frames behind the stone recesses. This is to allow the openings to remain open and reduce the frame on show.

D1 - Solid oak panel door and frame (frame 80mm x 60mm with chamfered edge). Door to be constructed from tongue and groove seasoned oak panels @ 195mm wide and 45mm thick, with covering fillets @ 30mm wide and 20mm deep, door to be oil finished. Door frame set completely behind the stone reveal and opening in. See detail of frame and door construction.

D2, D3, D4 - Bronze clad external door system, frame depth of 92mm, sight line internal is 140mm. to incorporate double weather seals with 14mm double glazed units. (Proposed to use Bronze clad external doors from Architectural Bronze Casements - Vale)

D5 - It is proposed to install a three section "clearline glass curtain wall system". as per specification

Bottom Track - 40mm x 65mm - 13mm gap which is thermally broken.

Top Track- 44mm x 61mm Thermally broken and 2 x weather seals

Profile Size - 55mm x 44mm Inserts - 2 x weather seals

Side Columns - 80mm wide x 70mm Deeps with with 2 x weather sealed strips

Glass - Standard units manufactured with 4mm/6mm Planitherm 4's. The toughened glass spacer which is 20mm x 12mm/15mm/18mm with 45 degree x 8mm mitres are fixed between the long edges of glass. Top and bottom have 2 rows of aluminum 20mm spacer bars filled with desiccant. Profiles are compressed onto glass and fixed with a polymer.

Bubble gaskets - Available in grey

Head deflection - 12mm Incorporated in Design Specification

Frame Colour - Dark Grey

Proposed system to be supplied by FGC - Frameless Glass Curtains.

R1 - Conservation roof light, side hung escape window. Size 960mm x 1270 to be positioned no higher than 1100mm from the first floor level to comply with building regulations. It is proposed to install Clement conservation roof lights as per Sutton Cottage.

R2, R3 - Conservation roof light, top hung windows. Size 660mm x 870mm. It is proposed to install Clement conservation roof lights as per Sutton Cottage.

All doors and roof lights comply with BS6375 and BS7950

TITLE	Proposed Barn Conversion	
LOCATION:	Sutton Barn Brook Lane Endon ST9 9EZ	
DRAWING REF:	Proposed Door Schedule	
DRAWING No:	D401	Scale 1:20 @ A1
DRAWN BY:	D.Pennington	Date: August 15